

ULTRALUX WATER MACHINE™

Installation Guide



Table of Contents

Welcome	pg 2
Items You May Need (Not Included)	pg 3
Package Contents	pg 4
Planning & Preparation	pg 6
Installation of the UltraLux Water Faucet	pg 9
Source Water Set Up	pg 10
Options for Drain Set Up	pg 13
Installation of the UltraLux Water Machine	pg 16
Turning on the UltraLux Water Machine and Installation Inspection	pg 19
Enjoy Your UltraLux Water Machine	pg 21

Congratulations

Congratulations on purchasing the UltraLux Water Machine, the superior multi-filtration system for all homes!

This installation guide will be your companion in taking full advantage of the UltraLux Water Machine, and will simplify the process through a step-by-step walkthrough.




Video Installation Guide

Prefer to watch?

Scan this QR code to watch the installation video!

If you have questions or need additional help please contact us at support@ultraluxhealth.com, or call us during normal business hours.

 **US Number: (385) 360-9755**

 **International Toll Free Number: (855) 479-4149**

(Mon-Fri 9am-5pm MST)

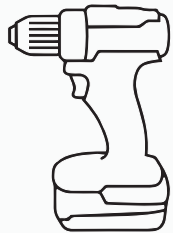
If you are unable to install the system yourself, you can always ask for help from handy people you know such as friends, family, co-workers, and neighbors. You can also hire a professional. The installation of a Reverse Osmosis system is a fairly common service.

One of the best ways to find a great plumber is by asking those you know if they have someone they can recommend. You can also find great options just by a quick internet search for certified plumbers in your area.

In the USA, apps like Thumbtack or Angi are options to find professional help. It is recommended to ensure they are a qualified and to also get a multiple quotes before proceeding.

In most areas, basic installation of the Water Machine should be around \$150; free if you do it yourself.

Tools Needed (Not Included)



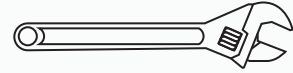
1 Drill



2 1" drill bit



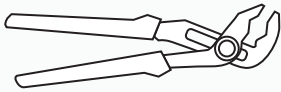
4 Masking Tape



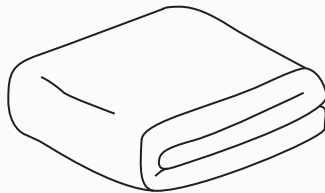
5 Adjustable crescent wrench



3 1/4" drill bit



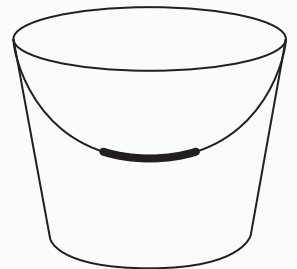
6 Slip Joint Plier



7 Towel



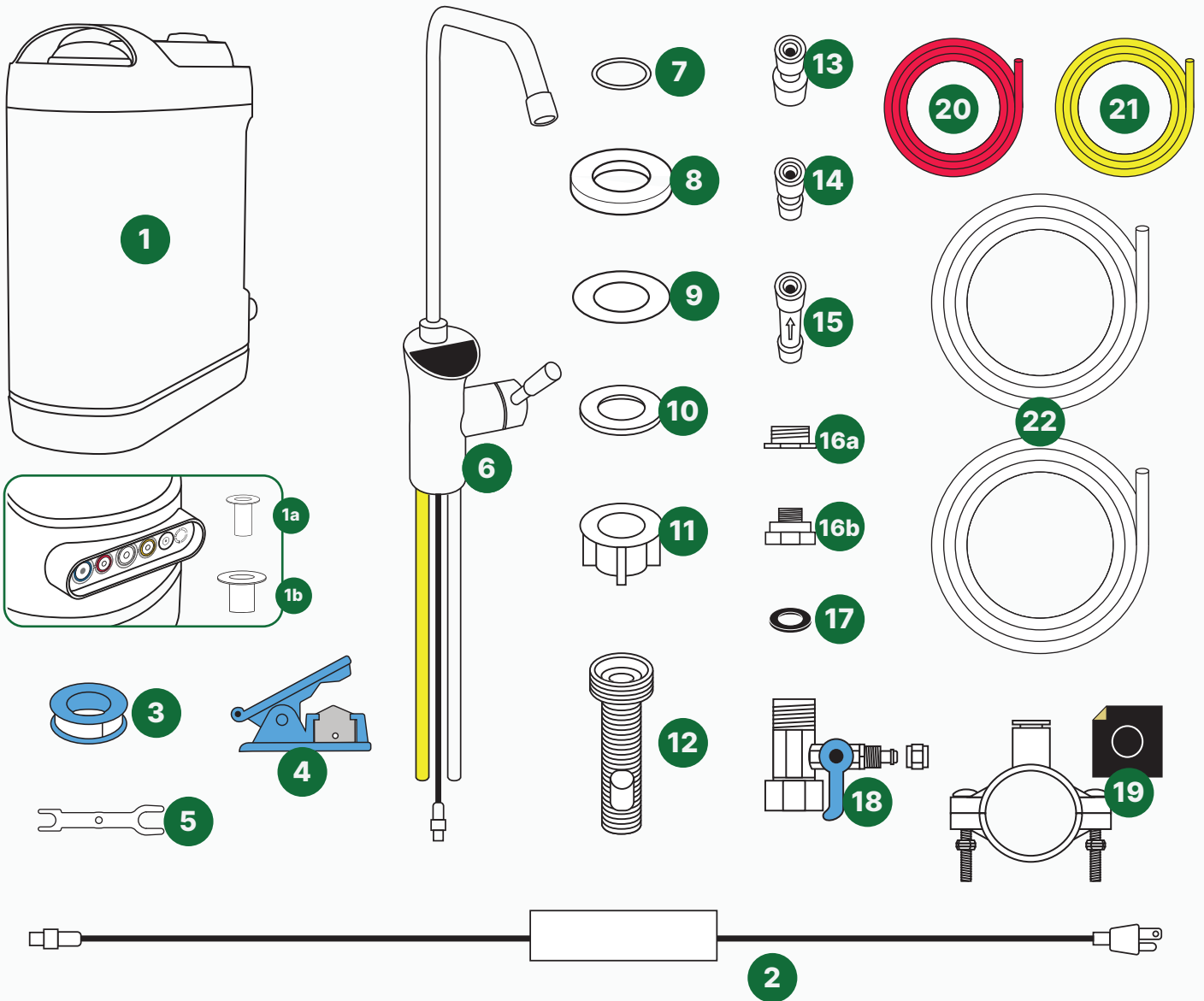
8 Phillips screwdriver



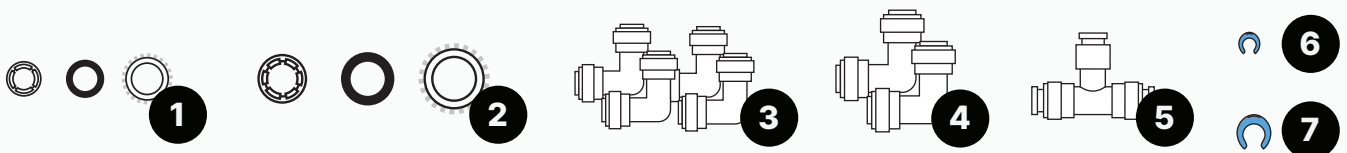
9 Bucket/Bowl

- 1 Drill
- 2 1" drill bit (for Faucet hole if there isn't a pre-existing hole to use)
- 3 1/4" drill bit (to drill into the drain line)
- 4 Masking Tape
- 5 Adjustable crescent wrenches (12 mm, 14 mm, and 16 mm)
- 6 Slip Joint Plier (to stabilize water valve when loosening/tightening)
- 7 Towel
- 8 Phillips screwdriver
- 9 Bucket/Bowl

UltraLux Water Machine Parts (Included)



UltraLux Water Machine Spare/Optional Parts (Included)



UltraLux Water Machine Parts (Included)

- 1.** UltraLux Water Machine
 - a. ¼-in. Machine Valve Plugs (x2)
 - b. ⅜-in. Machine Valve Plugs (x2)
- 2.** Power Cord
- 3.** Teflon Tape
- 4.** Pipe Cutter
- 5.** Quick Connect Release Tool
- 6.** UltraLux Water Faucet
 - a. Faucet Stem (attached)
 - b. White and Yellow Faucet Tubes (attached)
 - c. Faucet Power Cord (attached)
- 7.** Faucet Clamp O-Ring (White Rubber)
- 8.** Escutcheon & Rubber Insert (Optional)
- 9.** Large Metal Washer (Optional)
- 10.** Faucet Washer (White Rubber)
- 11.** Faucet Clamp Nut
- 12.** Threaded Faucet Stem
- 13.** ⅜-in. to ¼-in. Quick Connect Reducer
- 14.** ¼-in. to ¼-in. Quick Connect
- 15.** ¼-in. to ¼-in. Quick Connect Check Valve
- 16.** ⅜-in. Diverter Valve Reducers
 - a. Faucet Line End (½-in. to ⅜-in.)
 - b. Main Line End (½-in. to ⅜-in.)
- 17.** Diverter Valve Reducer Washer (Black Rubber)
- 18.** Diverter Valve
 - a. Black Washer (DO NOT Remove)
 - b. Small Diverter Valve Nut
- 19.** Quick Connect Drain Clamp
 - a. Drain Clamp Bolt (x2)
 - b. Drain Clamp Nut (x2)
 - c. Drain Clamp Seal
- 20.** Red ¼-in. PEX Pipe (6 ft)
- 21.** Yellow ¼-in. PEX Pipe (6 ft)
- 22.** White ⅜-in. PEX Pipe (6 ft) (x2)

UltraLux Water Machine Spare/Optional (Included)

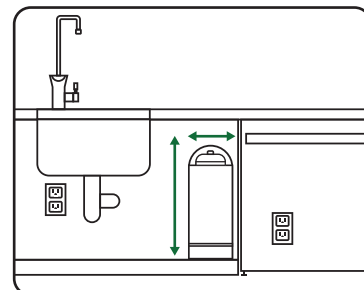
- 1.** ¼-in. Quick Connect Port Replacement Parts (for back of the machine)
 - a. ¼-in. Collet
 - b. ¼-in. Rubber O-Ring
 - c. ¼-in. Toothed Ring
- 2.** ⅜-in. Quick Connect Port Replacement Parts (for back of the machine)
 - a. ⅜-in. Collet
 - b. ⅜-in. Rubber O-Ring
 - c. ⅜-in. Toothed Ring
- 3.** ¼-in. Union Elbow Quick Connect (x4)
- 4.** ⅜-in. Union Elbow Quick Connect (x2)
- 5.** ⅜ x ⅜ x ¼-in. Reducing Tee Quick Connect
- 6.** ¼-in. Valve Plug Clamps (x17)
- 7.** ⅜-in. Valve Plug Clamps (x9)

Planning and Preperation

Before installing the UltraLux Water Machine, prepare and plan by following these steps:

1. Placement

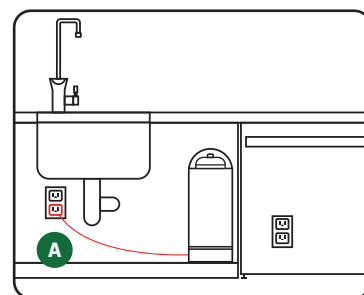
Identify the desired location to house the Water Machine and make sure it will fit.



2. Locate Power Outlet

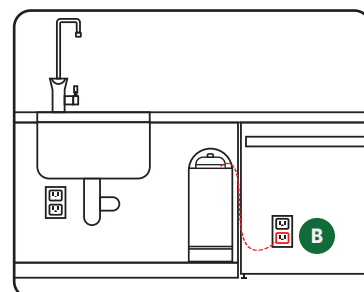
A If the outlet that will power the Water Machine is underneath your sink:

1. Ensure that the Water Machine has constant power. In most houses, there is a dual outlet with one inlet that is activated by a switch above the counter for the garbage disposal, and the other inlet has constant power. That would be the inlet you would use.
2. If your outlet does not have an inlet with constant power, please view the electrical options below (b-d). If none of the options work, you may consider contacting an electrician to modify the outlet.



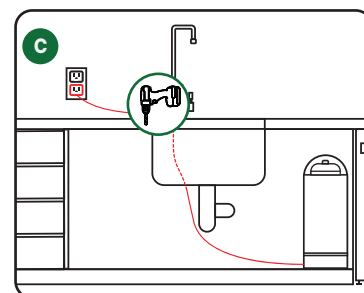
B If your dishwasher sits beside your sink and is not plugged into an outlet beneath the sink, there should be an outlet behind your dishwasher:

1. Pull the dishwasher out.
2. Thread the Power Cord through the hole that the dishwasher drain goes through. Or you may drill a new hole so that the Water Machine can access the outlet behind the dishwasher.
3. Plug the UltraLux Water Machine Power Cord into the outlet.



C If the outlet is on the wall just above the sink:

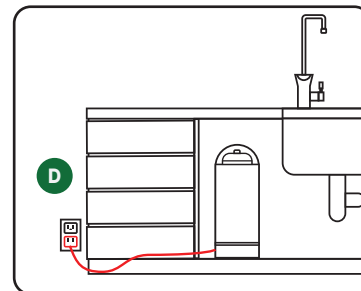
1. Drill a 1/4-in. hole for the Power Cord in the countertop or sink. This will touch the 1-in. hole that you use for your Faucet (See page 8).
2. Thread the Power Cord through the 1/4-in. hole from above before installing the Faucet.



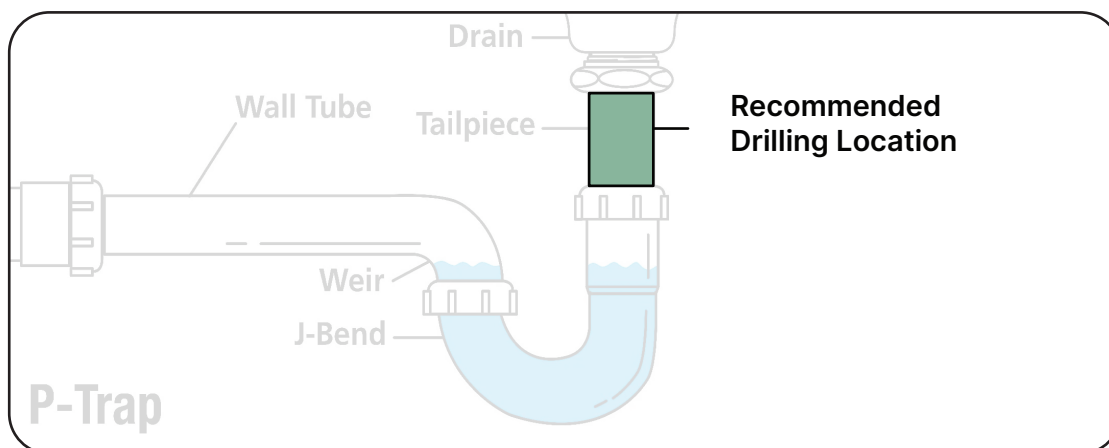
! **WARNING:** Do not drill your counter without consulting or hiring a professional.

D If the outlet is on the lower part of the wall in your kitchen:

Run the Power Cord out from underneath the sink to the outlet. An extension cord may be needed.



3. Drain Location



It is essential for the Machine to have a drain. It is highly recommended to go into the drain pipe as shown above. However, there are other drainage options later in this manual if you do not have access to the drain pipe.

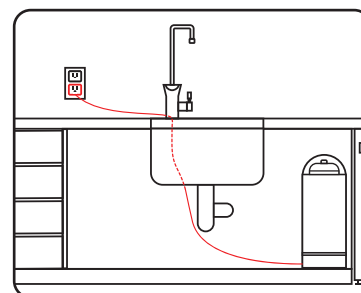
4. Faucet Location

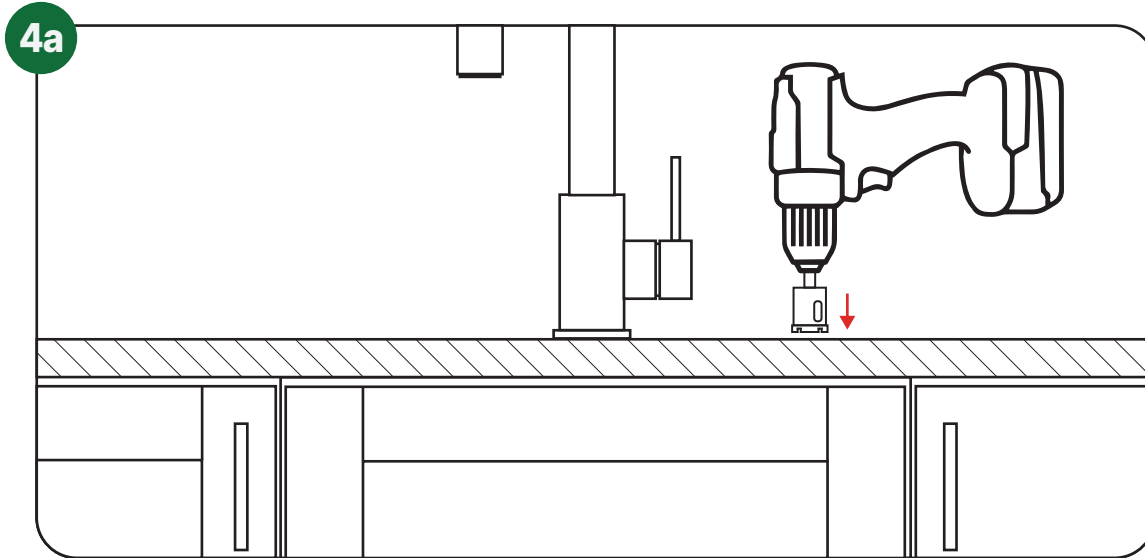
Ensure you have a plan for where your UltraLux Water Faucet will go. Common places are:

- A hole for a pre-existing secondary faucet from another water machine.
- A hole from a pull out sprayer.
- A soap dispenser hole.
- A new hole that is drilled into your counter or metal sink overhang.

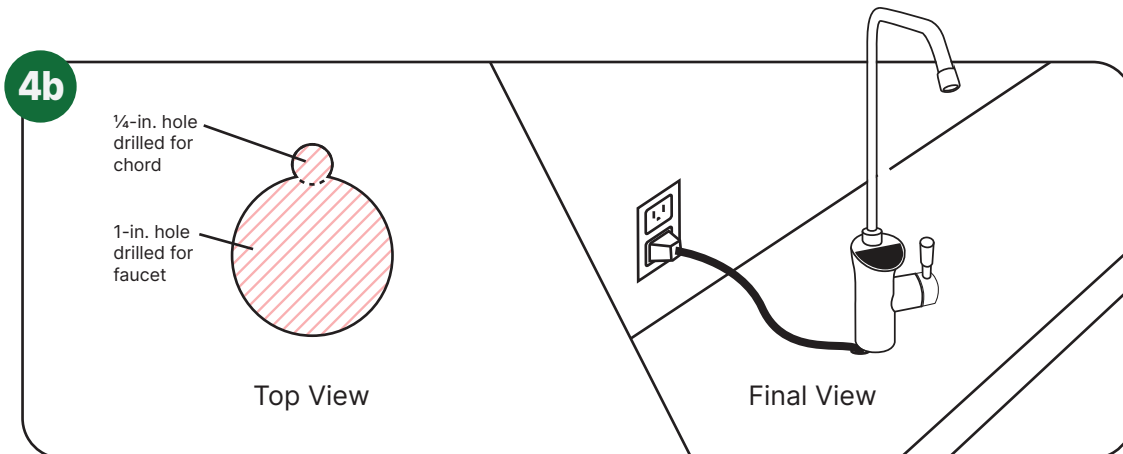
When choosing the location of where to install the UltraLux Faucet, keep in mind where the UltraLux Water Machine will be positioned.

*NOTE: If you drilled a 1/4-in. hole for the Power Cord, the 1-in. hole should touch the 1/4-in hole. (See graphic **4B** on page 8)*





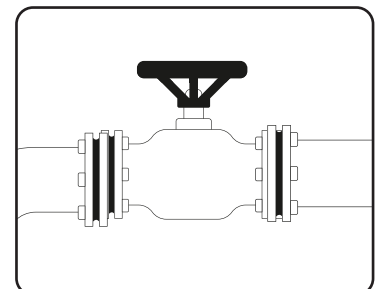
! **WARNING:** Do not drill your counter without consulting or hiring a professional.



5. Locate Main Water Shut Off

Locate the Main Water Shut Off Valve in your home.

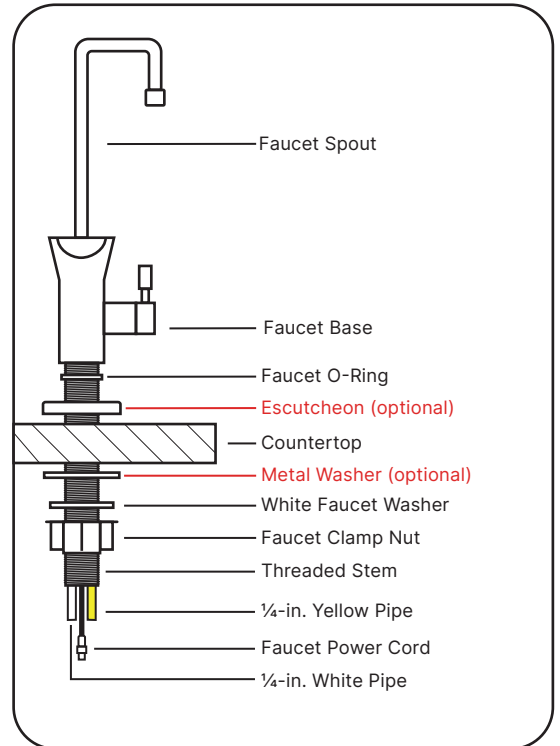
NOTE: This is only as a precautionary measure in the event that your Cold Water Valve gets damaged and you need to turn off your Main Water Valve to stop leaking water.



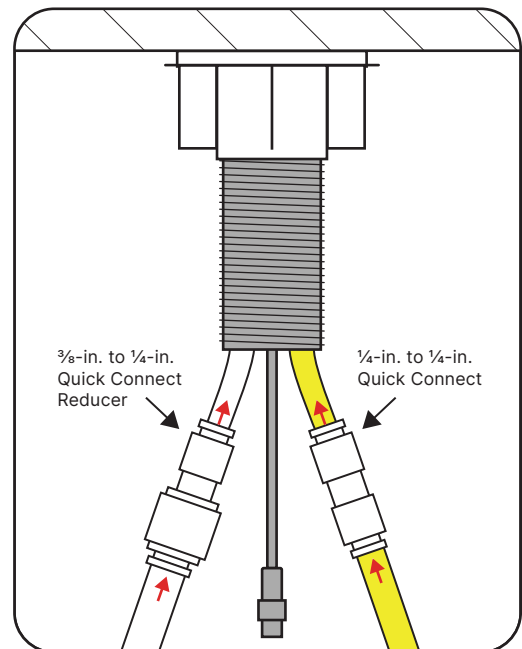
Installation of UltraLux Water Faucet

The UltraLux Faucet will be the dispenser for your Filtered Water and UltraLux Water. Follow these steps to ensure proper installation.

1. Attach the UltraLux Faucet Spout to Faucet Base
2. Thread the Power Cord and Tubing through the Faucet Threaded Stem, tightening it to the Faucet Base.
3. Push the Faucet O-Ring to the top of the Faucet Threaded Stem.
 - A. If the hole in the countertop is too big, remove the Faucet O-Ring and use the included Escutcheon to support the Faucet along with the included Large Metal Washer, placing it beneath the counter.
4. Next, beneath the sink, attach the Faucet Washer and Faucet Clamp Nut to the Threaded Stem, securely tightening them to the countertop. During this, the Faucet Display should also be facing towards the sink.
5. Then connect the 1/4-in. end of the Quick Connect Reducer, located on the end of the 1/4-in. PEX White Pipe, to the White Faucet Tube. Gently tug on the Pipe to ensure a proper connection.
6. Connect the 3/8-in. White PEX Pipe to the Quick Connect Reducer. The end of this White Pipe will connect to the back of the Water Machine.
7. Connect the 1/4-in. Quick Connect to the Yellow Faucet Pipe. Gently tug on the Pipe to ensure a proper connection.
8. Connect the roll of the Yellow PEX Pipe to the 1/4-in. Quick Connect. Gently tug on the Pipe to ensure a proper connection.



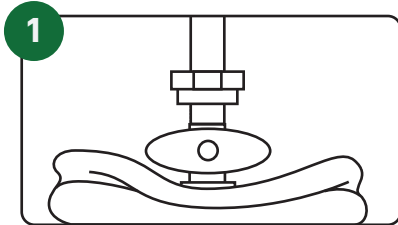
Faucet Assembly



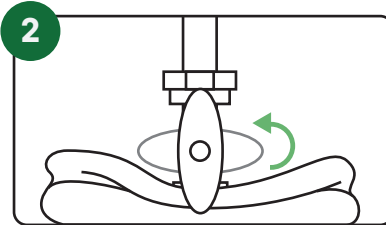
Faucet Pipe Connections

Source Water Set Up

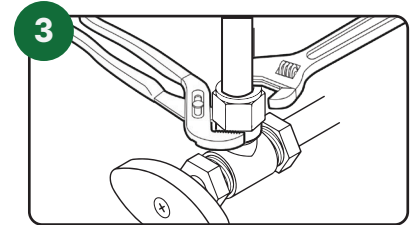
The source water is the water that will be filtered and transformed into the UltraLux Water. Follow these steps to ensure proper installation.



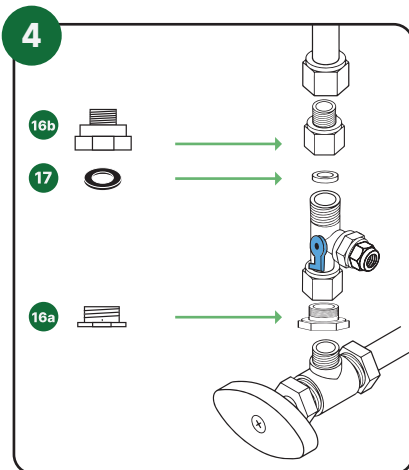
1 Prepare a towel and/or a bucket to catch any leaking water during this installation.



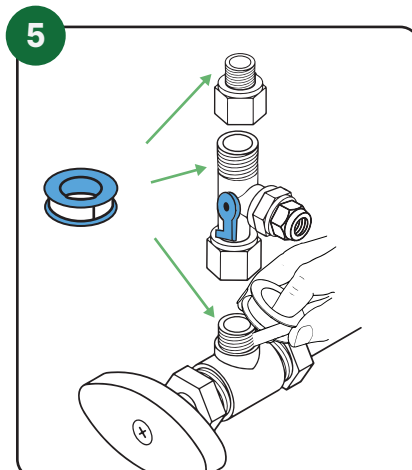
2 Begin by turning off the cold water line. Drain the cold water line by turning on the sink faucet.



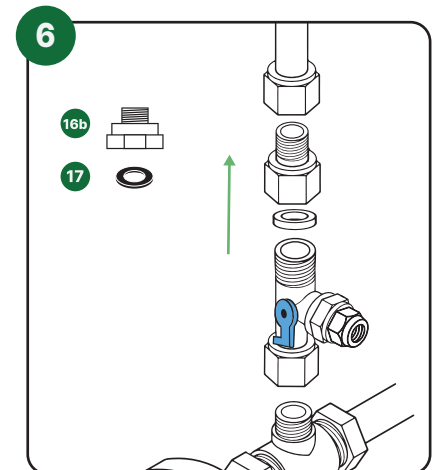
3 Disconnect the cold water line while securing the base of the line, using the Slip Joint Plier. Then unscrew the nut of the waterline going to the kitchen faucet with a wrench.



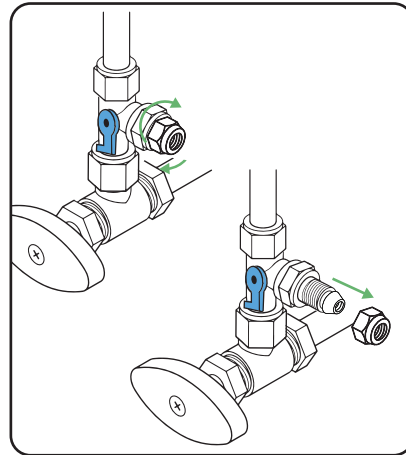
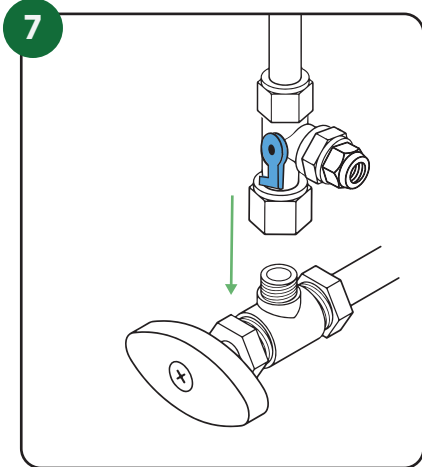
4 Determine whether or not you will use the two 3/8-in. Reducers on the Diverter Valve.



5 Next, wrap Teflon Tape around the threading of the cold water valve and the threaded ends of the Diverter Valve.

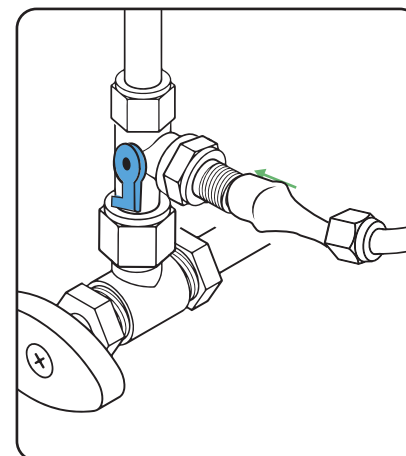
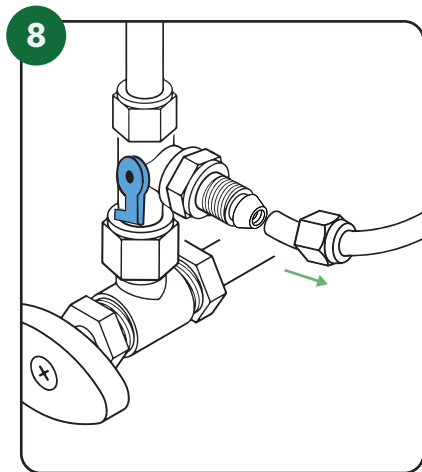


6 Screw the Diverter Valve onto the cold water valve, ensuring that the Black Washer is seated between the Diverter Valve and the cold water valve threading. Do not cross thread. If the Diverter Valve is not seated properly, leaking will occur. Tighten the valve with a crescent wrench.

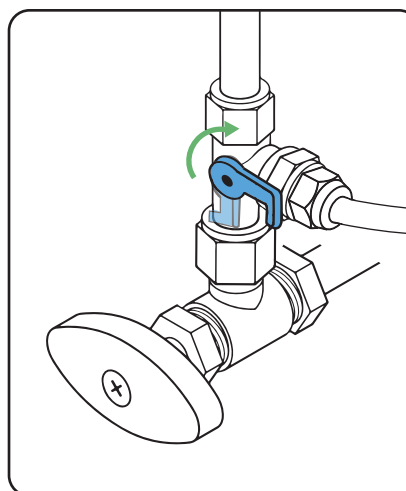
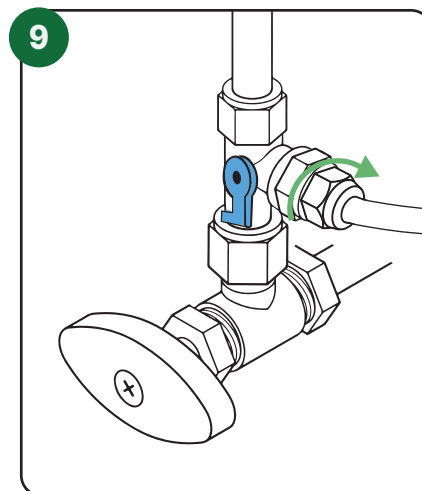


Next, screw the female end of the cold waterline onto the male end of the Diverter Valve, and tighten with a crescent wrench.

Unscrew the Small Diverter Valve Nut from the smallest end of the Diverter Valve.

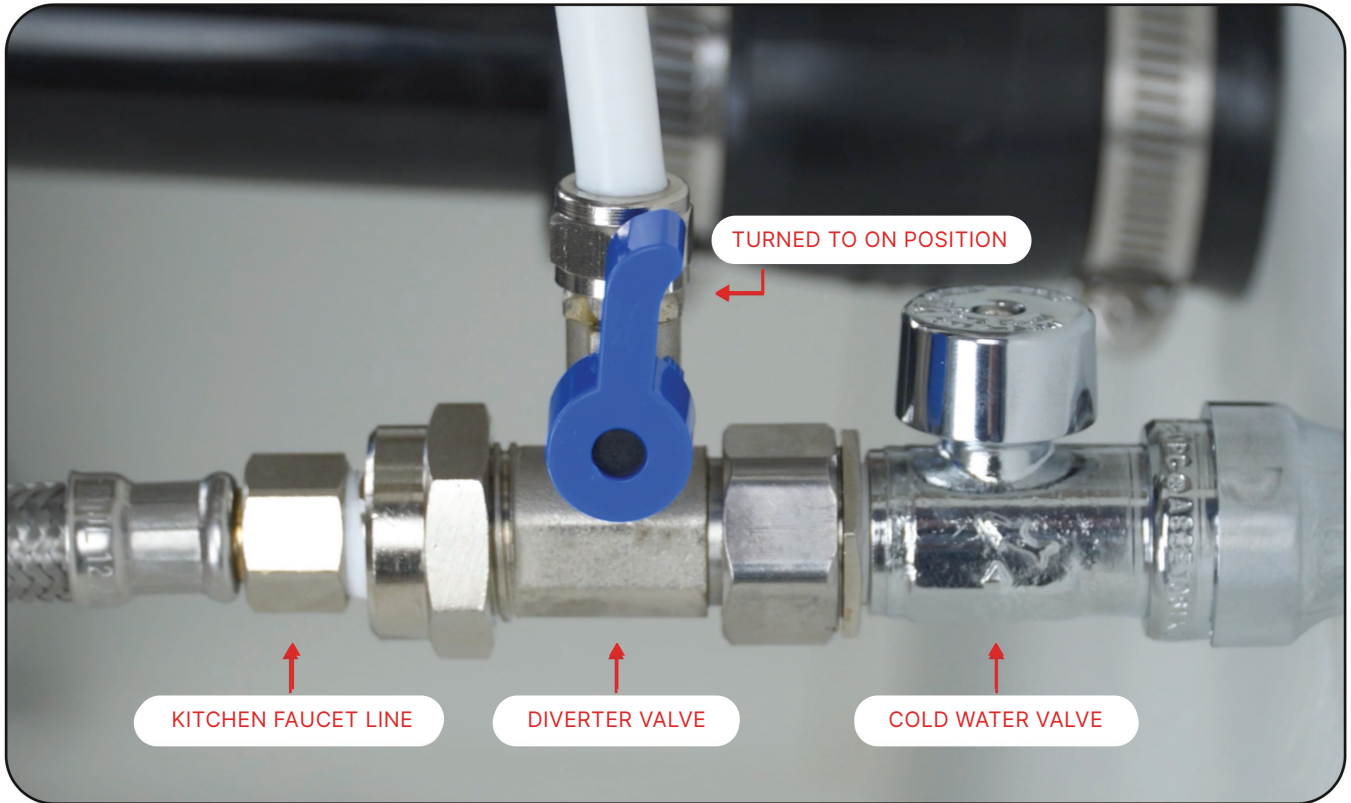


Then place the small Diverter Valve Nut over the end of the 3/8-in. PEX Pipe, pushing the PEX Pipe until it is aligned evenly with the end of the Diver Valve



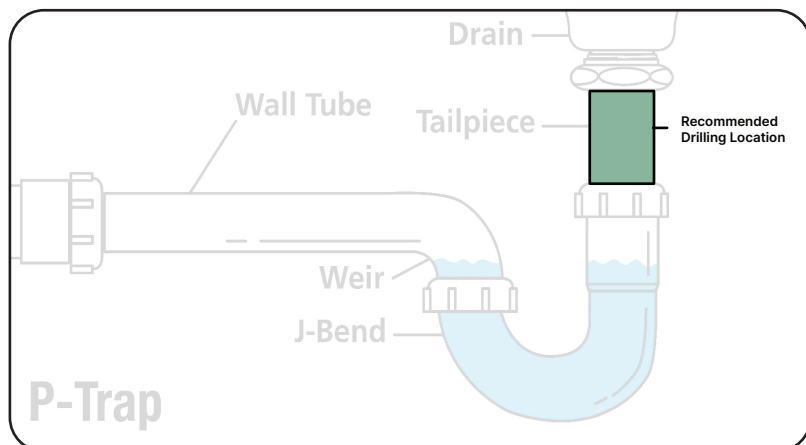
Slide the small Diverter Valve Nut onto the Diverter Valve Nozzle threading, tightening it with a crescent wrench.

Switch the Diverter Valve lever to the 'On' position, which is parallel to the 3/8-in. PEX Pipe.



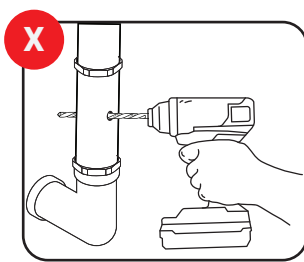
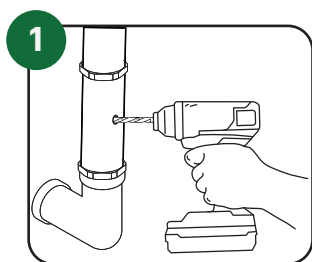
Finished view of the cold water line connected to the wall rather than the floor.

Options for Drain Set Up



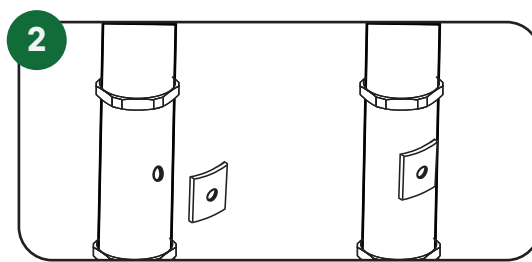
Option 1 (Recommended)

To remove all contaminants and waste water from the Water Machine, you will need to set up the drain pipe.

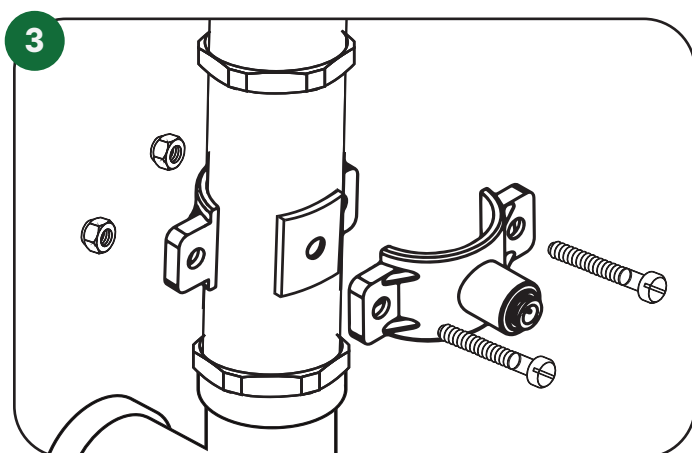


The Drain Clamp will be installed above the P-Trap. Drill a 1/4-in. hole straight into the side of the drain pipe.

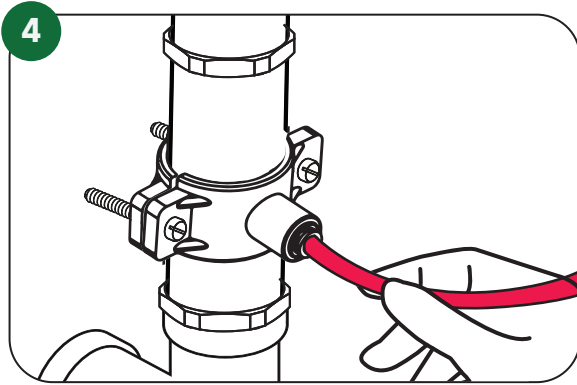
DO NOT drill through both sides of the drain pipe. Reference Recommended Drain Clamp Location image.



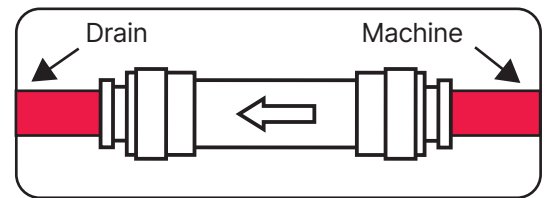
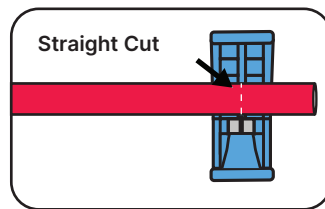
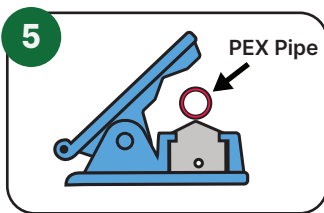
Remove the paper backing and apply the sticky side of the seal to the pipe, lining up the holes.



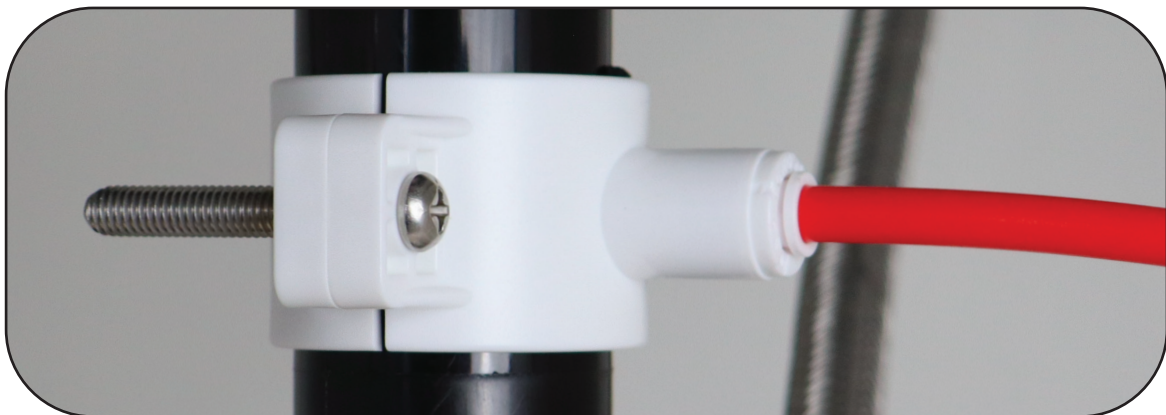
Next, attach the Drain Clamp to the drain pipe, using the included Nuts and Bolts, ensuring that the threaded opening of the Drain Clamp sits over the 1/4-in. hole in the drain pipe. Make sure the Nuts and Bolts on the Drain Clamp are tight and that the Drain Clamp cannot move freely.



Push the 1/4-in. Red PEX Pipe from the Drain Water Port into the 1/4-in. Quick Connect end of the Drain Clamp. Gently tug on the end of the Red Pipe to ensure it's properly connected.



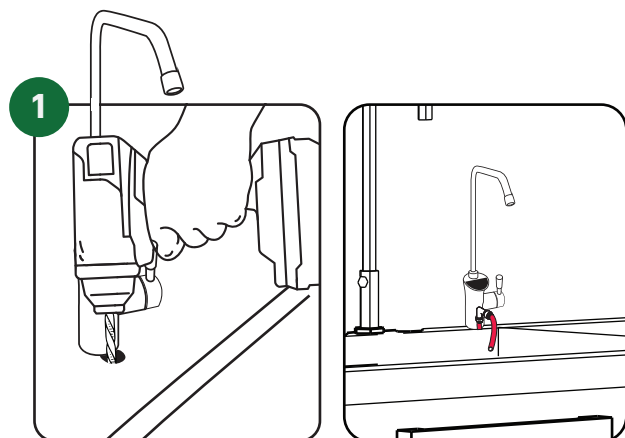
Anywhere along the Red Drain Pipe, use the Pipe Cutter to cut the tube and insert each end into the Quick Connect Check Valve. Ensure the arrow is pointing towards the drain.



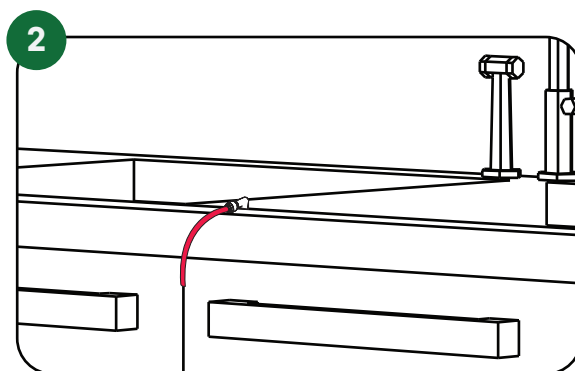
Finished image of Drain Clamp Assembly as described above.

Alternative Drain Options

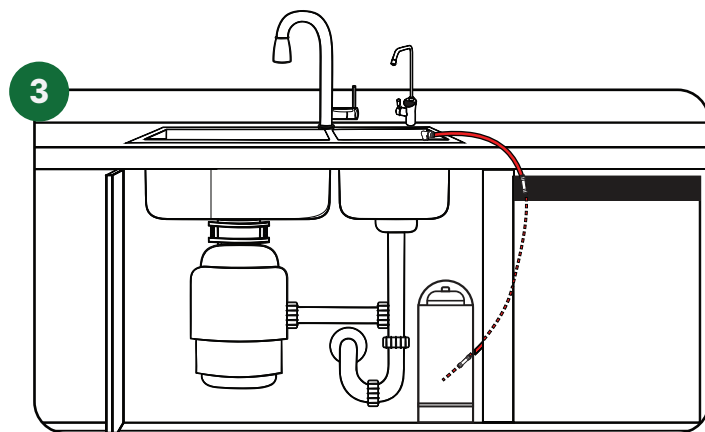
If Option 1 cannot be done, there are 3 alternative methods to properly run the Red Drain Pipe up into your sink basin by using the 2 Quick Connect Elbows and Pipe Cutter, that are included:



Drill a hole next to the main faucet of the sink, and run the Red Pipe out from it to drain the waste water. See page 8 on how to drill the additional hole.



Run the Red Pipe through the crack in the front cabinets of the sink. Use the 2 Quick Connect Elbows to "hook" the Drain Pipe to the edge of your sink.



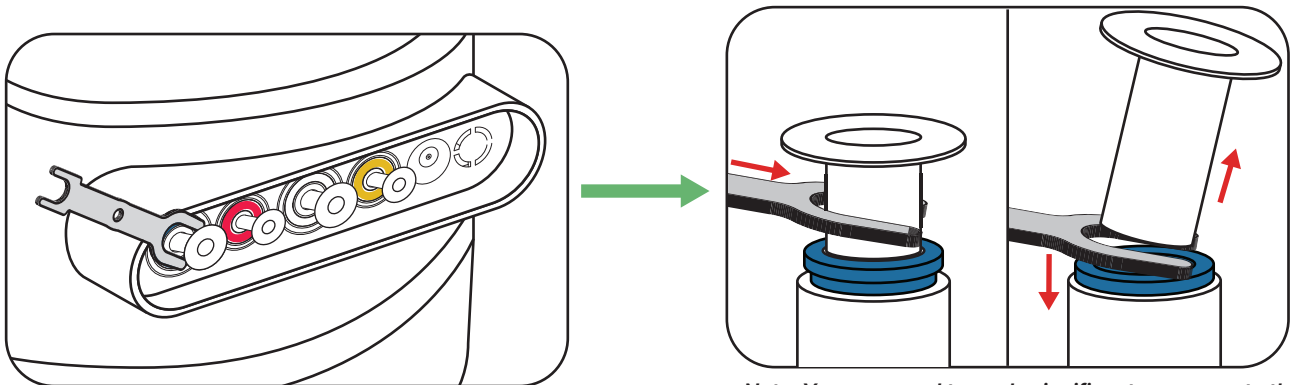
Feed the Red Pipe through the a hole under your sink to the dishwasher. Then put it through an opening to the side, or above, your washer. Use the optional fittings to bring the Red PEX Pipe to your sink.

For any of these steps, still follow Step 5 in "Option 1" for installing the Quick Connect Check Valve.

Installation of the UltraLux Water Machine

Now that the Faucet, Drain Process, and Source Water have been set up, it's time to properly install the UltraLux Water Machine.

- 1 Begin by removing all 4 Quick Connect Port Plugs from the back of the UltraLux Water Machine by using Quick Connect Release Tool. Do so by depressing the colored collars, ensuring they are depressed all of the way before gently pulling out the Plugs. It is normal for some water to dribble out in this process.



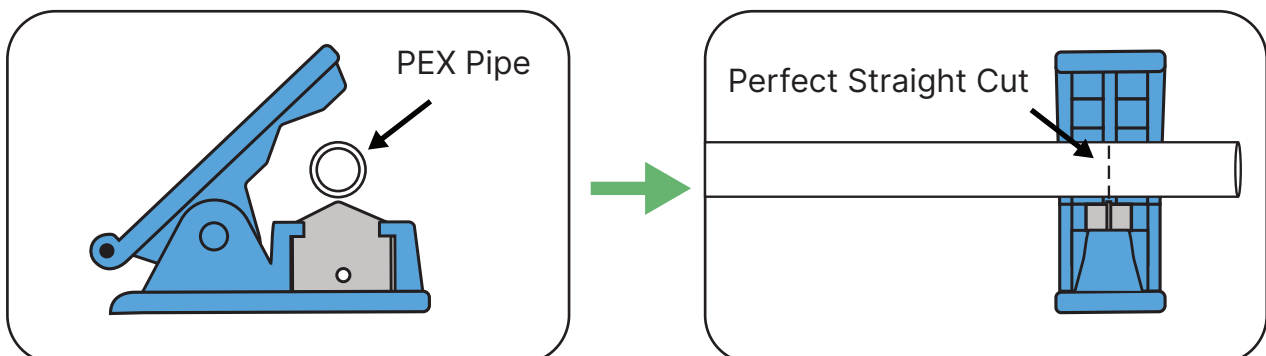
Note: You may need to apply significant pressure to the collar to depress it sufficiently before removing the plug.



WARNING: Excessive force can break the seal and cause the Machine to leak. The breaking of these ports on the Water Machine are not covered under warranty.

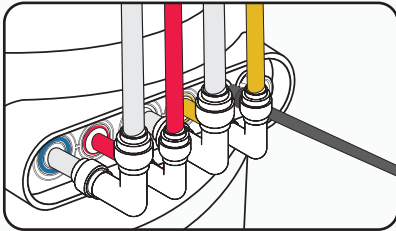
NOTE: Save all 4 of these Port Plugs and Quick Connect Release Tool in a bag and tape them to the back of your Machine for safe keeping. (we suggest placing them in the zip bag containing the replacement port parts).

- 2 Next, place your UltraLux Water Machine on the edge of your cupboard, or someplace where you can easily access and replace the filters. Measure each of the White, Red, and Yellow tubes, to ensure they reach the Machine in this position beneath the sink.
- 3 If you measure the tubes and find an excessive amount, you can cut the tube with the included PVC cutter, using caution as they are sharp. The cut should be extremely precise and straight to prevent leaking.



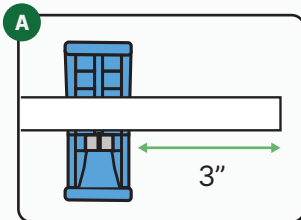
Connecting the UltraLux Water Machine

When connecting each PEX Pipe, use maximum force to push the tubes into each port in the back of the Water Machine.

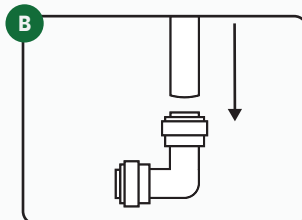


To begin connecting your Water Machine to your sink, follow steps A-C to save space and prevent leaks.

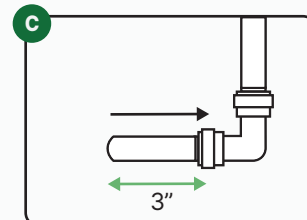
Although optional, these steps are recommended.



Cut a small section, about 3 inches, off of each of the PEX pipes.

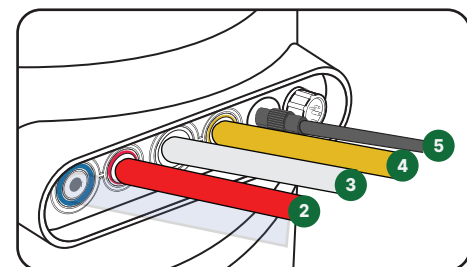
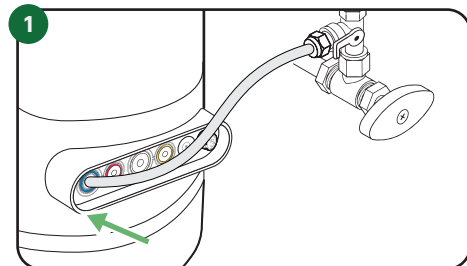


Connect the Union Elbow Quick Connect pieces to each of the correct pipes
 1/4 inch = Red & Yellow
 3/8 inch = White

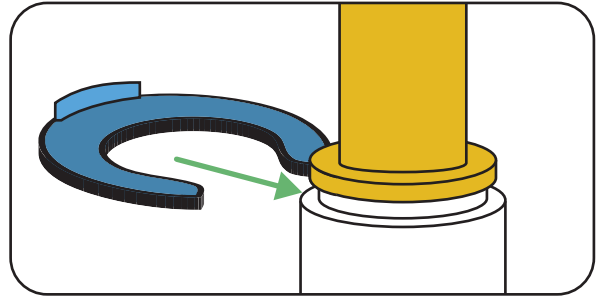


Connect the smaller section that was cut off into the other end of the elbow, making an 'L' shape.

- 1 Connect the 3/8-in. White PEX Pipe, coming out of the Diverter Valve, into the Source Water Port of the Machine.
- 2 Connect the 1/4-in. Red PEX Pipe, coming out of the drain line, into the Drain Water Port of the Machine.
- 3 Connect the 3/8-in. White PEX Pipe into the Filtered Water Port of the Machine.
- 4 Connect the 1/4-in. Yellow PEX Pipe into the UltraLux Water Port of the Machine.
- 5 Plug the Power Cord into the Power Supply Port. (do not plug the other end into your power outlet yet, wait for further steps)



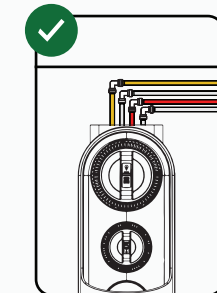
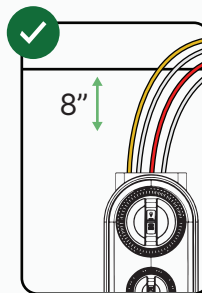
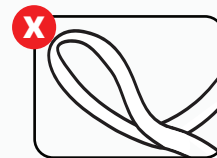
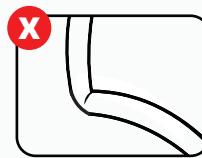
- 6 Finally, as a suggestion, insert the Quick Connect Clamps into all Quick Connect fittings anywhere you can.



IMPORTANT

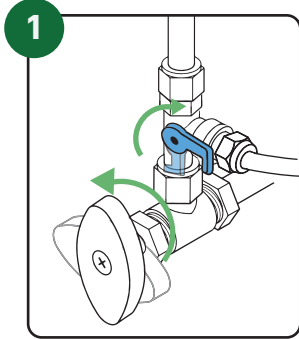
The pipes need to go into the Water Machine straight on. If they come into the Machine at an angle, it will most likely cause leaking.

Approximately 8 inches of space is required behind the Machine to allow the pipes to come in straight enough to not cause leaking.



Turning on the UltraLux Water Machine and Installation Inspection

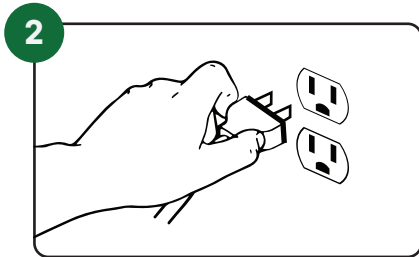
Turning on the UltraLux Water Machine and Installation Inspection



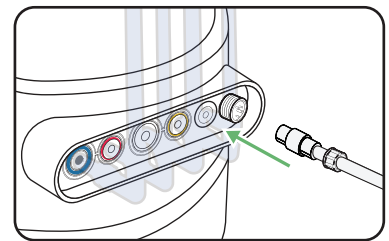
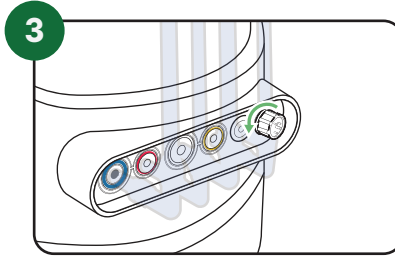
Slowly turn the cold waterline back on.

NOTE: If it is not already, turn the Diverter Valve into the 'On' position. (See step 11 of the Source Water Set Up)

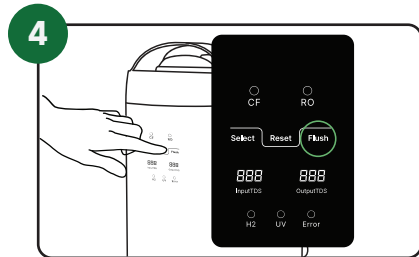
Check for leaks around the Ports, located at the back of the Water Machine.



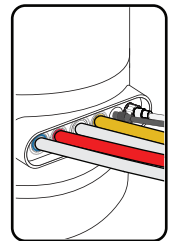
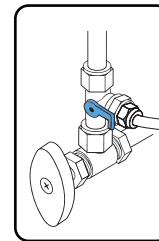
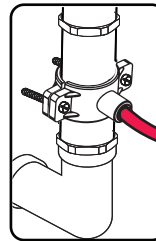
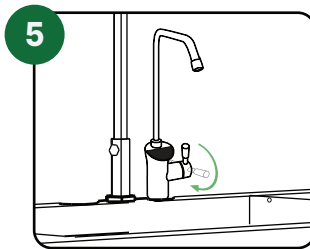
Plug the Machine into a wall power outlet. The Machine will automatically flush for approximately 30 seconds through the drain line.



Unscrew the Cap from the Faucet Data Line Port, discarding the cap. Then plug the Faucet Power Cord into the Faucet Data Line Port of the Machine, aligning the installation notches. Tighten the Faucet Power Cord Nut.



Once the 30 second, automatic flush concludes, press Flush button on the UltraLux Water Machine to initiate a manual flush cycle in the Machine, lasting approximately 30 minutes.



Once the 30 minute flush cycle is complete, ensure that water flows from the UltraLux Water Faucet both when the handle is turned toward, and away, from yourself.

Check for leaks around all Quick Connects, the Diverter Valve, and the Drain Clamp.

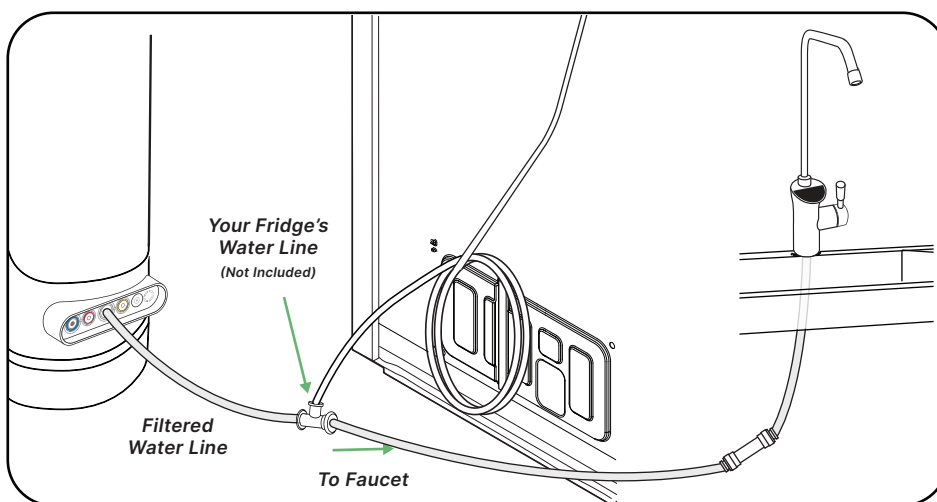
NOTE: For additional information (Machine functions, display information, troubleshooting, etc.) please refer to the included User Manual.

That's it! You are done! You may now use your UltraLux Water Machine.

The last step is completely optional if you want. You would follow the steps below for the Fridge Connection the same way you would use it for an Ice Maker. There are no extra included pipes for connecting the Water Machine to your other appliances, you must use the pre-existing pipes or buy more from a hardware store.

Connecting the Filtered Water Line to the Fridge (Optional)

- 1 Pull your Fridge out far enough to access the Fridge's water line.
- 2 Run the water line to the Machine (may need to drill a hole in the cabinet to thread the line through to the Machine).
- 3 Use the included Pipe Cutters to make a clean and straight cut anywhere along the White Filtered Water line running from the Machine to the Faucet.
- 4 Take the included Reducing Tee Quick Connect and insert both ends of the Filtered Water line into the the the 3/8" connectors.
- 5 Then, insert the Fridge water line into the 1/4" connector.



Note: This will only work when using the Filtered Water line and will not work with the UltraLux Water line. A similar process can be followed for other appliances such as an ice-maker.

Enjoy Your UltraLux Water Machine

Congratulations! You have finished installing your UltraLux Water Machine and are ready to experience the benefits of clean, hydrating water!

If you have questions about the installation process, please do not hesitate to reach out to our team at: **support@ultraluxhealth.com** or call **(385) 360-9755** or **Internationally Toll Free (855) 479-4149**.

To speed up the process, include a video and/or pictures, in your email, of the specific issues. This will help our team in providing a proper solution. We will respond as soon as possible.





ULTRALUX
HEALTH

Feel free to reach out to our customer service team with any questions or concerns



ULTRALUX
HEALTH

 Support@ultraluxhealth.com  Live Chat : ultraluxhealth.com

 385-360-9755 or Internationally Toll Free at: 855-479-4149

M-F 9:00am - 5:00pm MST